

ASSEMBLY INSTRUCTIONS

Snap Poster Frame

■ Lay the poster frame face-up and open all 4 sides. This is best done by spacing hands equally along one side with thumbs on the outside edge. The fingers can now lift the frame until it 'pops' into the open position.

Remove the cover sheet. (Fig .1)

■ Snap Frames are supplied predrilled for screw fixing to any smooth surface. Screw holes are located on the inside of the frame and can be used for marking the fixing positions. If fixing to slightly uneven surfaces such as brick, be careful not to overtighten the screws and distort the frame.

■ With the frame securely fixed in position using the fixings supplied, it is now ready to accept a poster. Open all four sides of the snap frame, slide the poster into position, fit the cover sheet and snap frame shut on all sides to hold the poster. (Fig. 2)

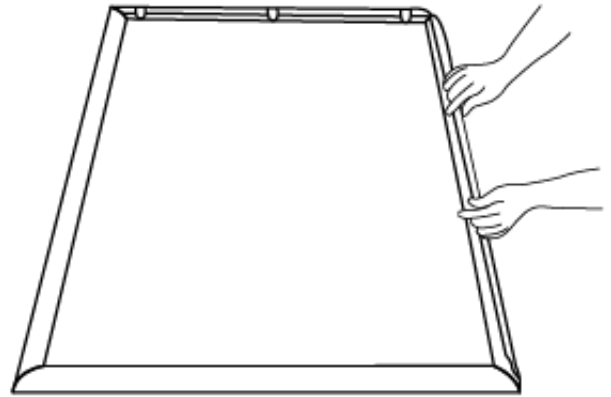


Fig. 1

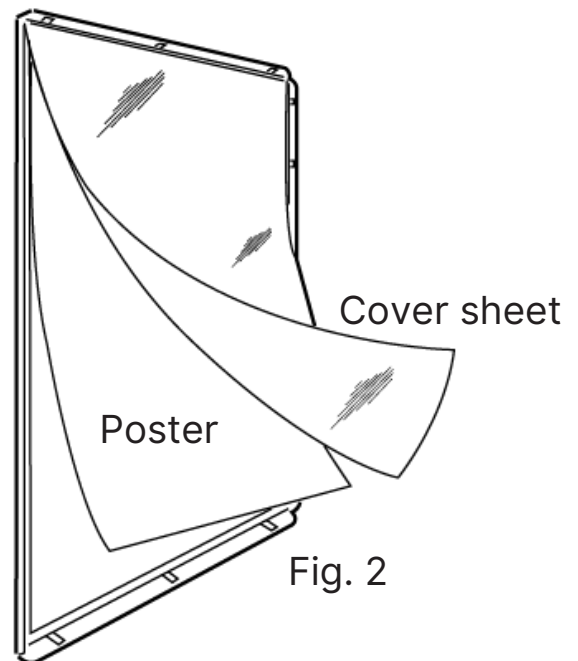


Fig. 2

WWW.20TWENTY.NET | 1300 91 31 81